

*Implant Innovation*

When INNOVATION meets Dental Implant..



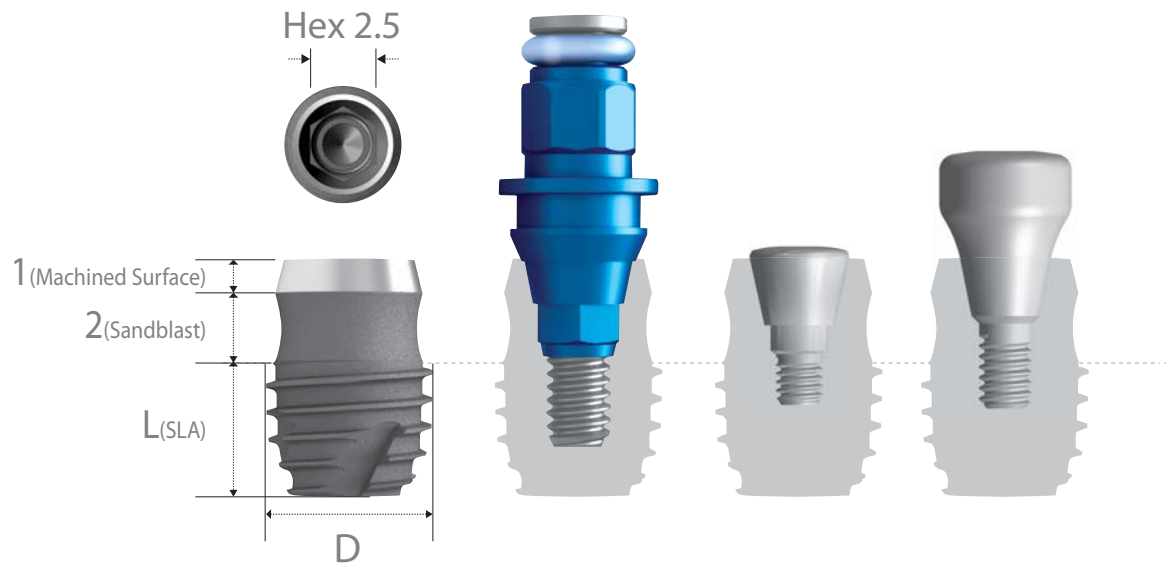
# INNO SUBMERGED SHORT IMPLANT

# INNO Sub. Short Implant



## Submerged Short Fixture Surface Treatment : SLA

- > Interchangeable with hexagonal morse tapered fixture
- > Internal Hex Connection (Taper 11°/ Hex 2.5)
- > INNO Sub. System Mount 및 Abutment 공용 사용



## Pre-Mount > Packing Unit : 1 Fixture + 1 Cover Screw + 1 Mount

Diameter	Ø5.0	4	2ST5004S
Length			
Diameter	Ø5.5	4	2ST5504S
Length			
Diameter	Ø6.0	4	2ST6004S
Length			



## Drill

Point Drill KPD01S	Ø2.0 Step Drill KSSD2004	Ø4.0 Step Drill KSSD3304	Ø4.5 Step Drill KSSD4504
Ø5.0 Step Drill KSSD5004	Ø5.5 Step Drill KSSD5504	Ø6.0 Step Drill KSSD6004	

## Stopper

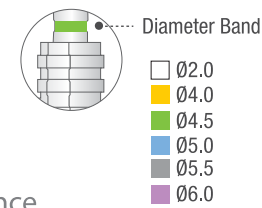
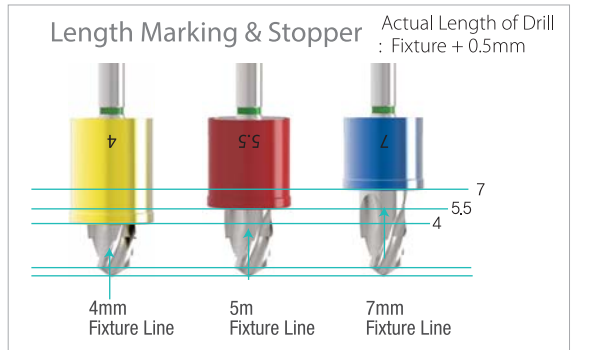
4mm Drill Stopper SIDS04	5.5mm Drill Stopper SIDS05	7mm Drill Stopper SIDS07
-----------------------------	-------------------------------	-----------------------------

## Countersink

Ø4.0 Countersink 4KCS40S	Ø4.5 Countersink 4KCS45S	Ø5.0 Countersink 4KCS50S	Ø5.5 Countersink 4KCS55S	Ø6.0 Countersink 4KCS60S
-----------------------------	-----------------------------	-----------------------------	-----------------------------	-----------------------------

## Extension & Driver

M. Mount Driver. L KMMD06L	R. Mount Driver. L KRMD19L	1.2 Hex Driver L KHD1221	Torque Wrench KTW001
-------------------------------	-------------------------------	-----------------------------	-------------------------



## Drill Sequence

